

Outlines series

Available Colours:



Autumn Maple
AM
(Shown Below)



Evening Zen
EZ



Grey Dusk
GD



Hardrock Maple
HM



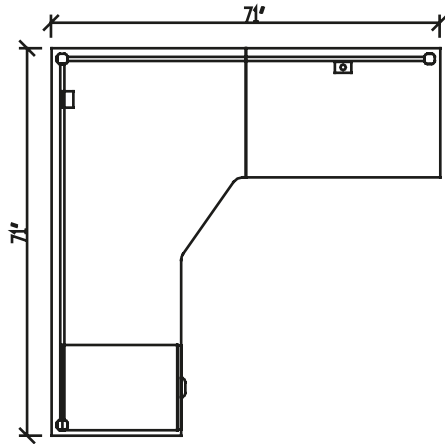
Royal Mahogany
RM



Sugar Maple
SM



Winter Wood
WW



Layout # 3A

INV-7236CM

Extended Corner Module

INV-2436RSBR

Non Handed Return Shell/Bridge

INV-HPF

Hanging Pedestal

OUT-1272PYP X 2

Polycarbonate Panel

OUT-12POST X 3

Post Package

NOTE: For Layout 3B Replace INV-7236CM with INV-3672CM.

Please refer to www.heartwooddl.com for current finish options available for this series.