

## PREMIUM MONITOR ARMS



100-MA1B  
SINGLE ARM

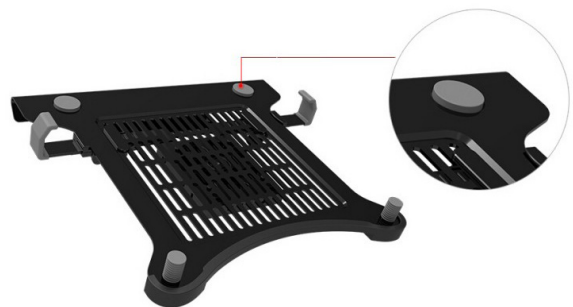
VESA quick-release  
mount



### Finishes:

Silver (SL)

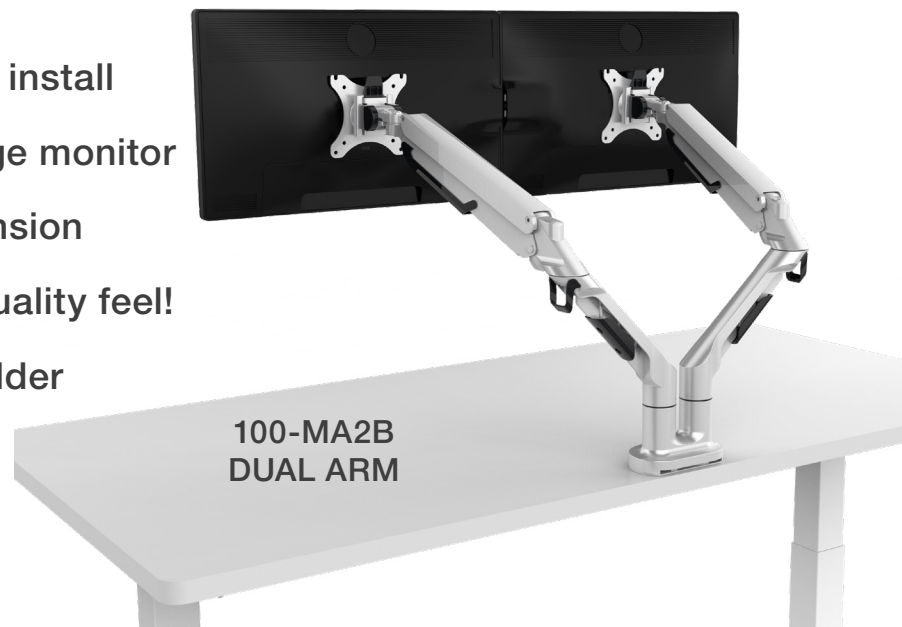
Black (BL)



100-LPTP-BL  
Optional Laptop Holder

### Features:

- Vesa quick-release mount for quick install
- Holds up to 32"(single arm 36") large monitor
- Excellent arm range 24" deep extension
- Finger touch height adjustment – quality feel!
- Compatible with optional laptop holder



100-MA2B  
DUAL ARM

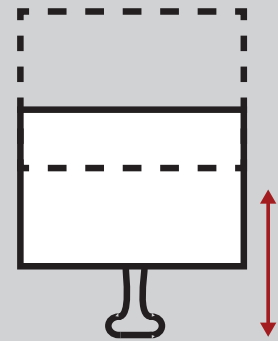
Workstation Comfort .... perfect monitor placement with our **NEW** single or double,  
**Pneumatic Monitor Arms.**

## Additional Features:

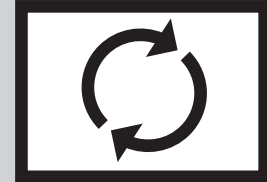
- Desk clamp and/or grommet mount
- Recommended for deep worksurfaces or corner applications (30" deep or greater)
- 14" height adjustment range: 5"– 19" (low/high)
- 24.0" arm extension
- 90° monitor tilt
- 90° VESA rotation
- 4.4 lbs.–19.8 lbs. weight capacity (per arm)
- Exceeds BIFMA x5.5 requirements
- 10yr warranty
- Finger touch height adjustment
- VESA quick-release
- Double arm 32.0" max. monitor (36" single arm)



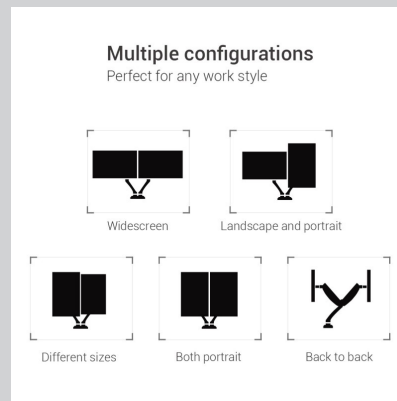
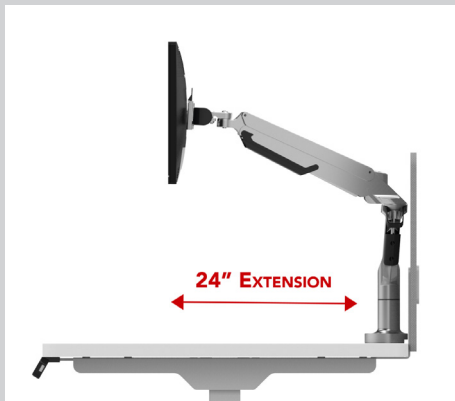
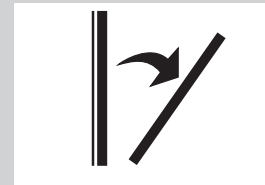
5"– 19" (low/high)



90° VESA rotation



90° monitor tilt



### Model:

100-MA1B  
100-MA2B  
100-LPTP  
(optional add-on)

### Description:

Single Arm  
Dual Arm  
Laptop Holder

### Finish:

Black (BL) or Silver (SL)  
Black (BL) or Silver (SL)  
Black (BL)



### Heartwood Distributors Ltd.

Choose high quality, price sensitive products that are  
**IN-STOCK** and ready for next day shipping.  
[www.heartwooddl.com](http://www.heartwooddl.com)



### Heartwood Manufacturing Ltd.

251 Adams Rd, Kelowna, BC V1X 7R1  
T: 1 800 567 3060 F: 250 765 1213  
[www.heartwood.ca](http://www.heartwood.ca)