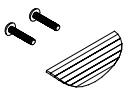
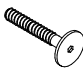



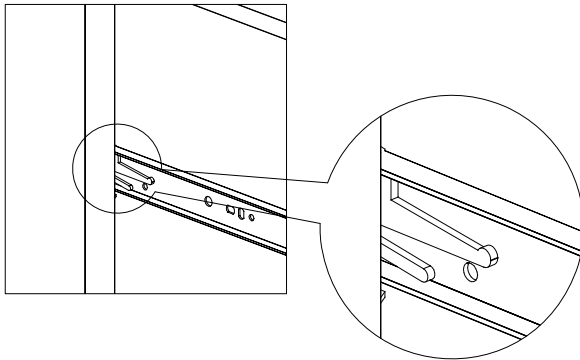


<p>2 PCS</p>  <p>HANDLE & SCREWS</p>	<p>4 PCS</p>  <p>JCB SCREW M6 x 40mm</p>	<p>4 PCS</p>  <p>Ø26mm WASHER</p>	<p>1 PC</p>  <p>M4 ALLEN KEY</p>	<p>4 PCS</p>  <p>LEVELERS</p>
---	---	--	---	--

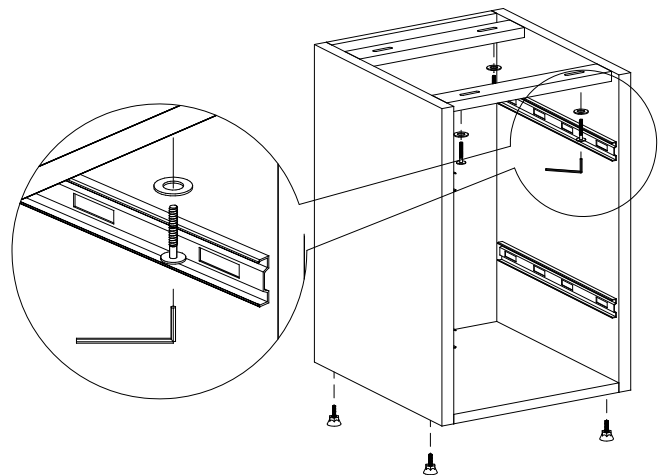
1 - REMOVE DRAWERS BY PRESSING RIGHT SLIDE LEVER DOWN AND LEFT SLIDE LEVER UP SIMULTANEOUSLY, THEN PULL THE DRAWER FORWARD.



CAUTION:

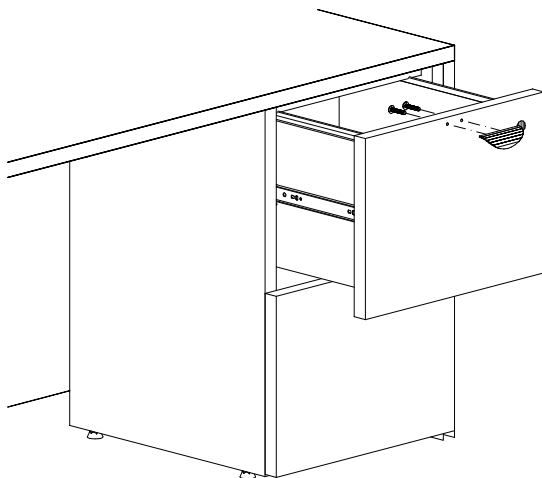
OFFICE FURNITURE IS HEAVY. ENSURE THAT YOU HAVE ADEQUATE ASSISTANCE WHEN LIFTING AND MOVING PARTS AND ASSEMBLIES. KEEP HARDWARE OUT OF REACH OF CHILDREN.

2 - USE SCREWS & WASHERS TO MOUNT TO UNDERSIDE OF WORKSURFACE.



INSTALL LEVELLERS

3 - REINSTALL DRAWERS



QUESTIONS OR CONCERNS ?
 PHONE Customer Service
 1-866-567-3060
 M-F 7am - 4:30 pm PST