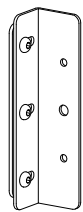
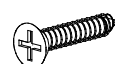
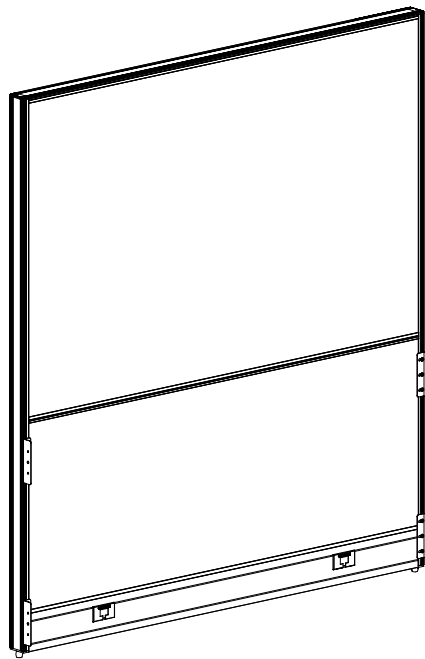


framework

<p>GABLE BRACKET ASSEMBLY</p>  <p>2 PCS</p>	<p>M4 x 20mm SELF TAPPING SCREW</p>  <p>4 PCS</p>
--	--

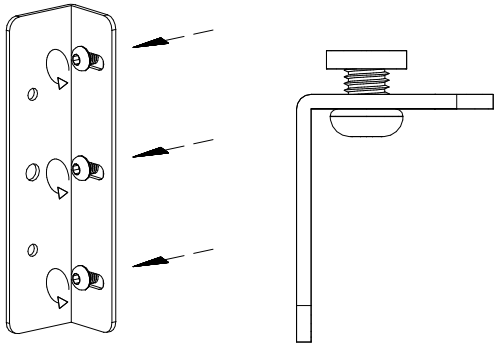
CAUTION:

OFFICE FURNITURE IS HEAVY. ENSURE THAT YOU HAVE ADEQUATE ASSISTANCE WHEN LIFTING AND MOVING PARTS AND ASSEMBLIES. KEEP HARDWARE OUT OF REACH OF CHILDREN

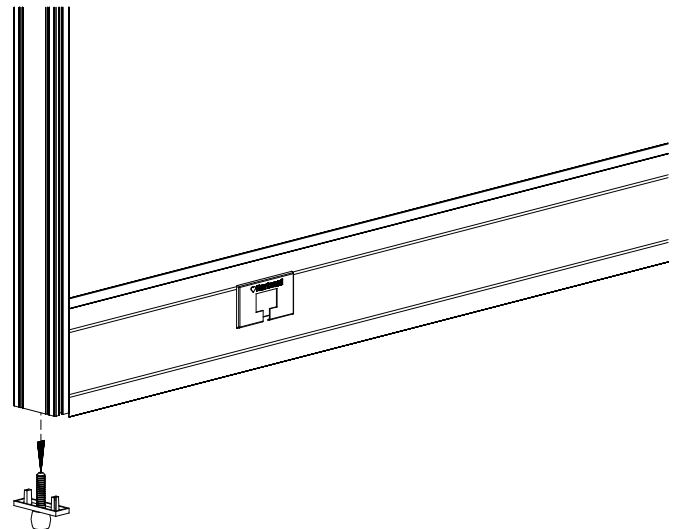


**GABLE BRACKET SET
MODEL: FRM-GBS**

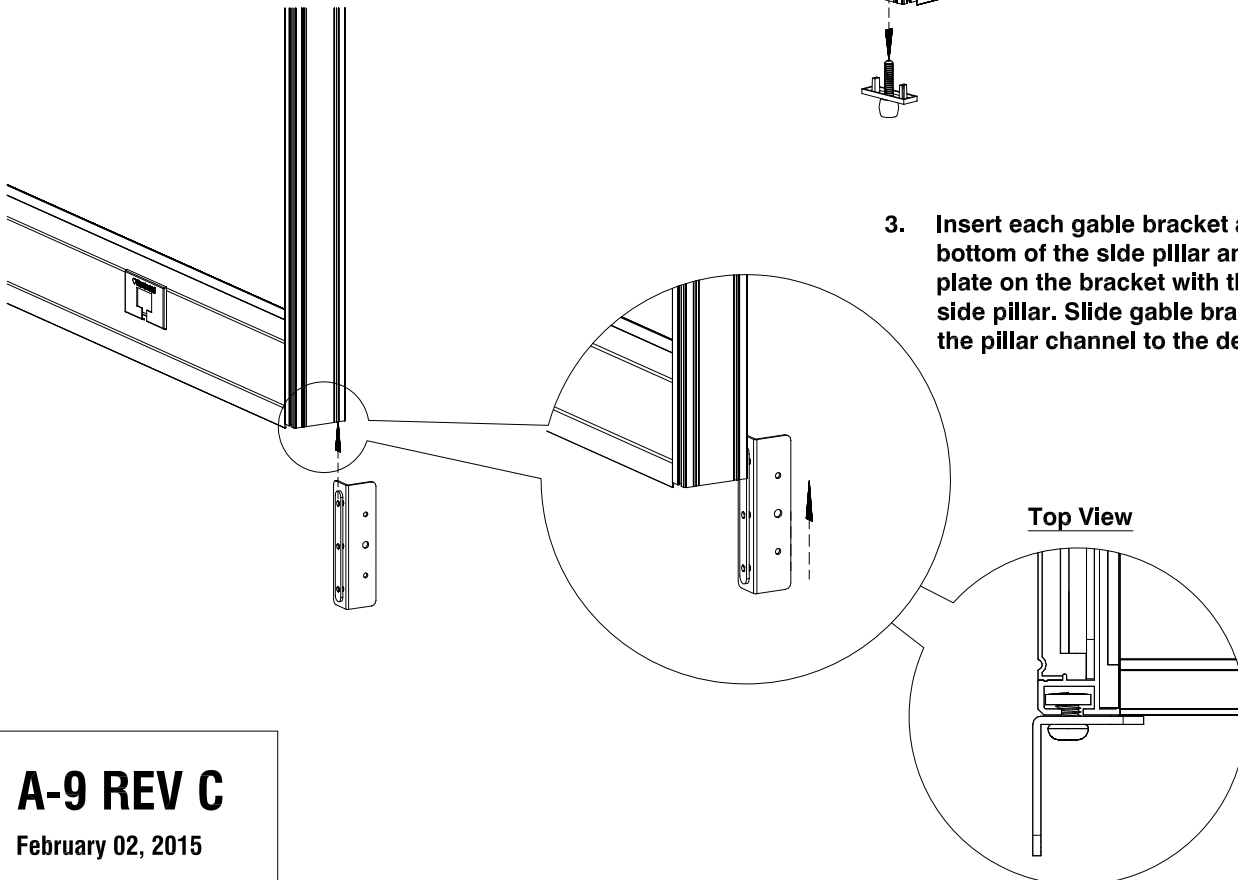
1. Loosen the three bolts on the gable bracket assembly.



2. Remove the side pillar base.



3. Insert each gable bracket assembly into the bottom of the side pillar and align the back plate on the bracket with the channel on the side pillar. Slide gable bracket assembly up the pillar channel to the desired location



QUESTIONS OR CONCERNS ?

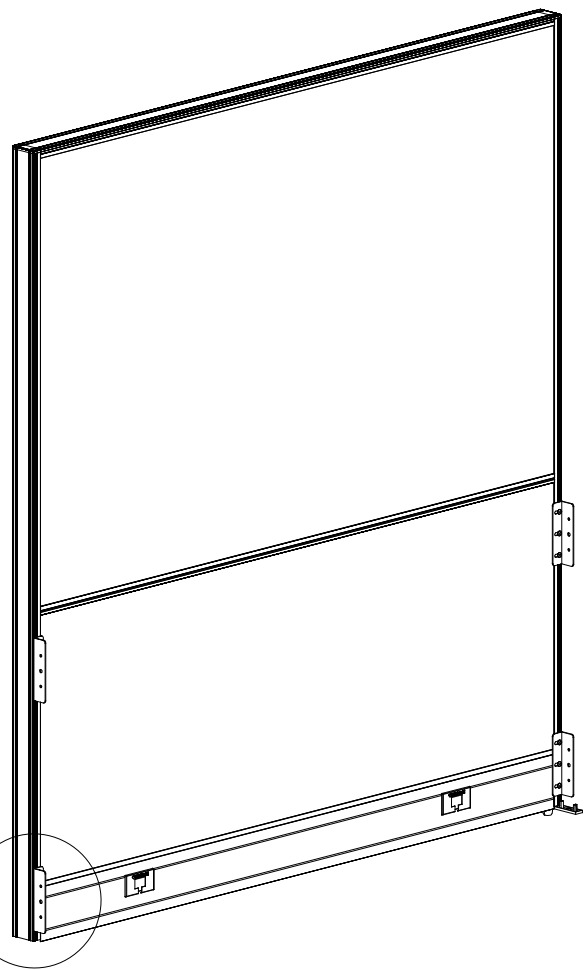
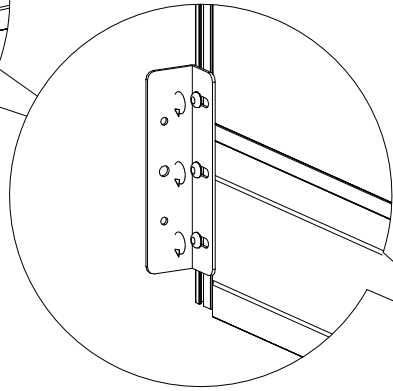
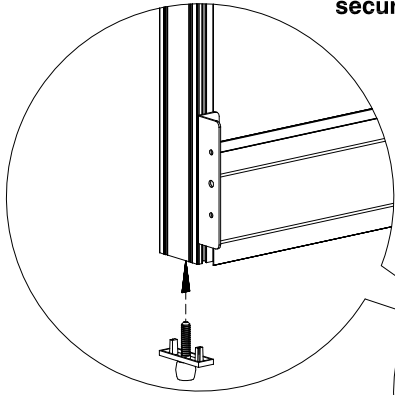
PHONE Customer Service

1-800-567-3060

1-250-765-4145

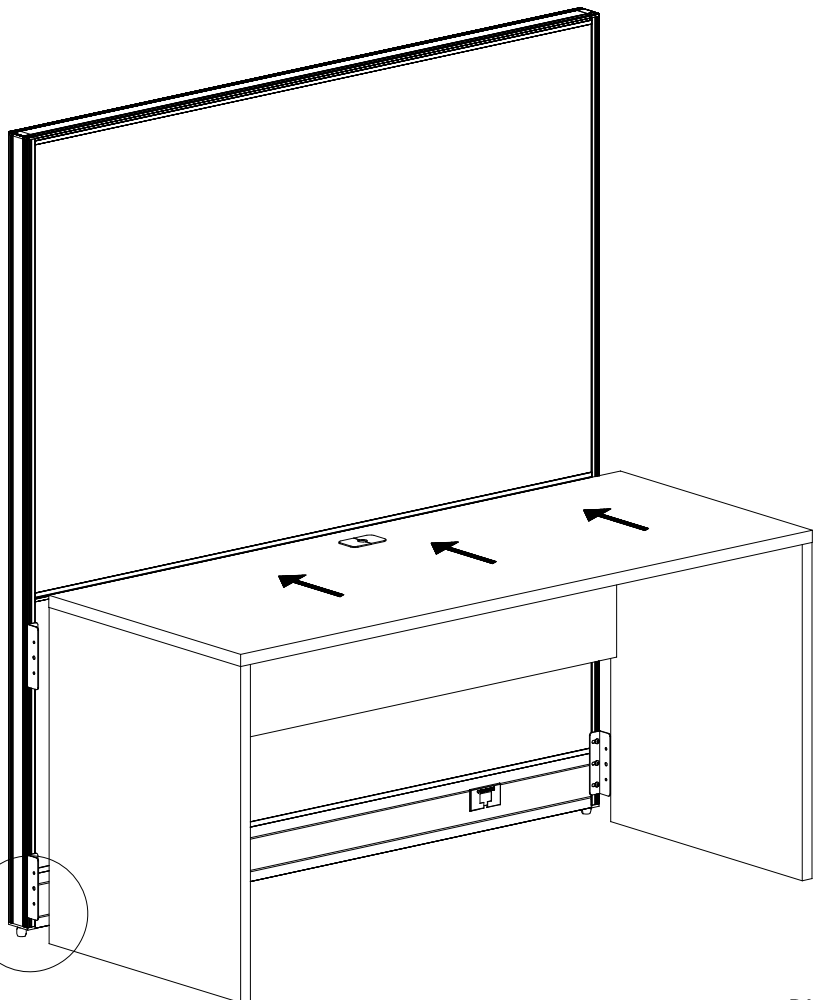
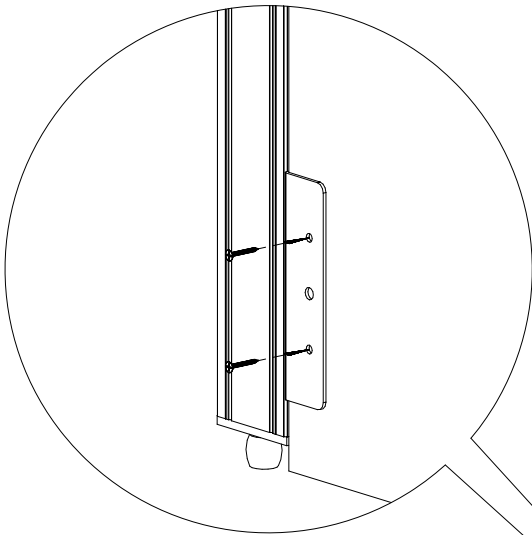
M-F 7am - 4:30 pm PST

- 4. Position the support brackets with one bracket close to the top of the gable and one close to the bottom of the gable and secure by tightening bolts.**



- 5. Reinstall side pillar base.**

- 6. Position the furniture to the panel. Secure the bracket to the furniture using the provided M4 x 20mm Self Tapping screws.**



A-9 REV C

February 02, 2015