

PANEL END TRIM

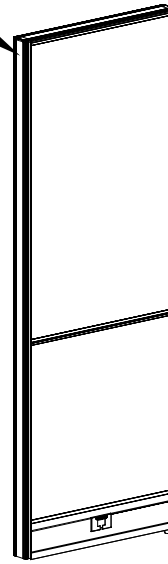
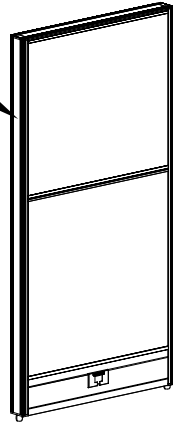
PANEL END TRIM



1 PCS

framework

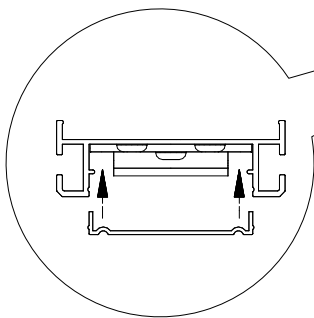
PANEL END TRIM



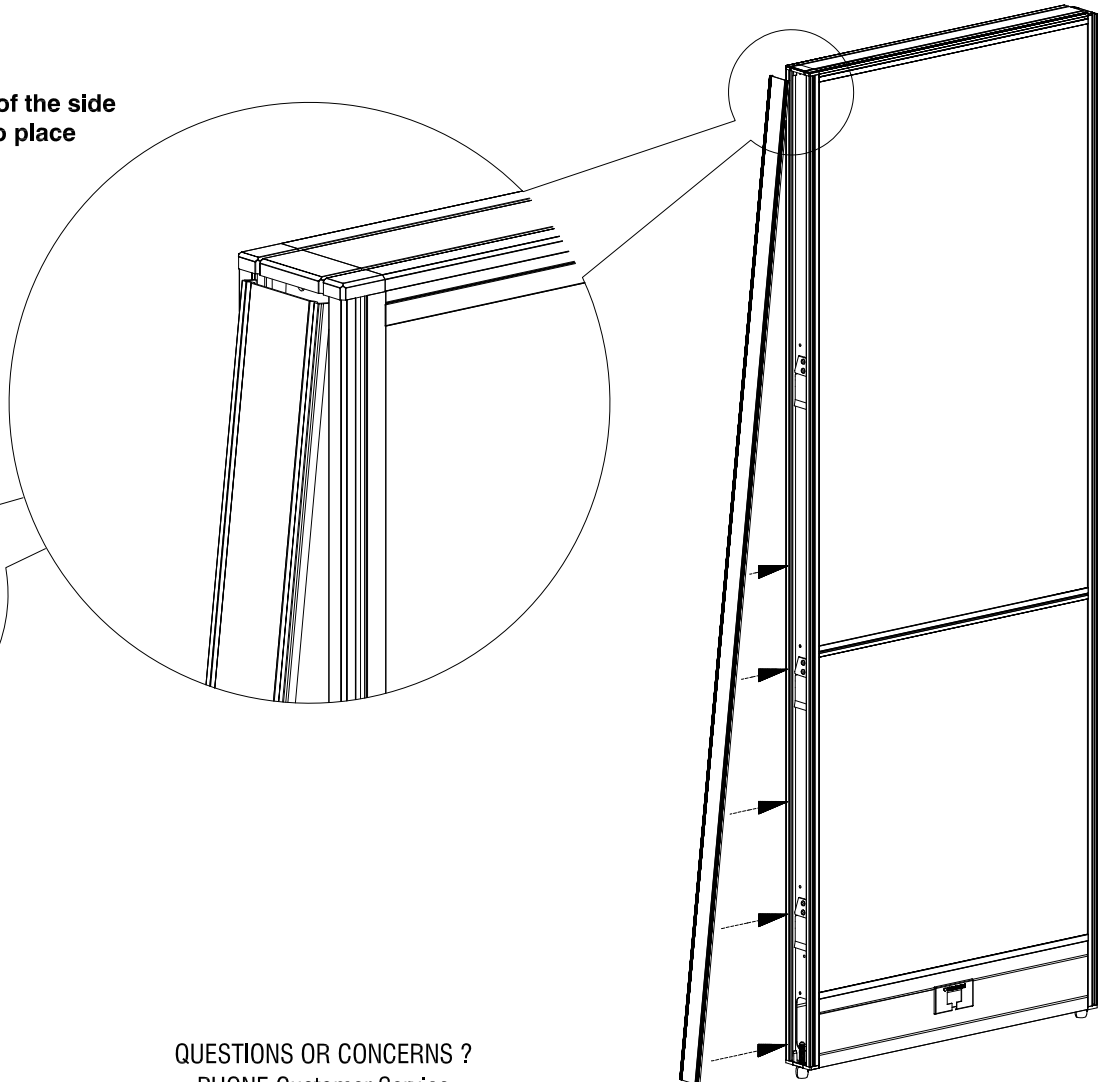
CAUTION:
OFFICE FURNITURE IS HEAVY.
ENSURE THAT YOU HAVE
ADEQUATE ASSISTANCE WHEN
LIFTING AND MOVING PARTS AND
ASSEMBLIES. KEEP HARDWARE
OUT OF REACH OF CHILDREN

**PANEL END TRIM
MODELS: FRM-66PET
FRM-48PET**

1. Align trim with the top of the side pillar and snap trim into place



Top View
Trim fits into side pillar
as shown here.



QUESTIONS OR CONCERNS ?
PHONE Customer Service
1-800-567-3060
1-250-765-4145
M-F 7am - 4:30 pm PST

A-5 REV C

January 29, 2015