

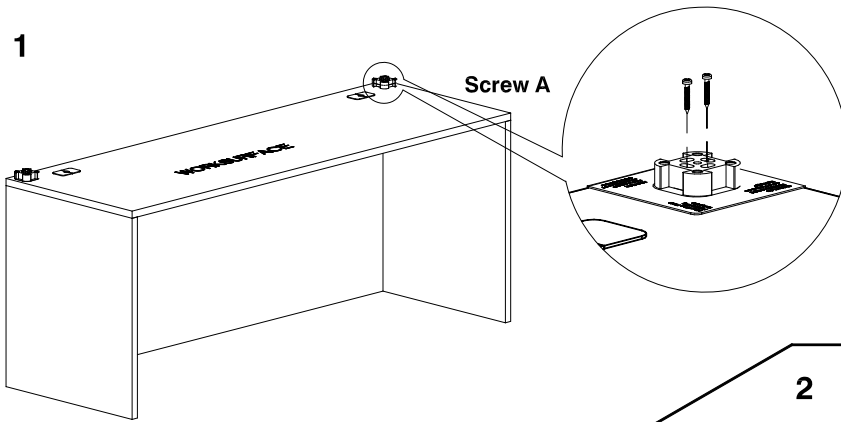
ASSEMBLY INSTRUCTION

MODEL: OUT-1266PYP OUT-1272PYP

| | | | | | | |
|------------------------------|--|---|--------------------------|------------------------------|------------------------------|--|
| LOCK NUT 2 PCS | SCREW A 1" (25mm) 4 PCS | MOUNTING PLATE TEMPLATE 2 PCS | POST 2 PCS | REDI ROD 2 PCS | PVC TRIM 6 PCS | POLYCARBONATE PANEL 1 PC |
| WASHER 2 PCS | SCREW B 1 3/8" (35mm) 8 PCS | | | | | |
| CAP 2 PCS | | MOUNTING PLATE 2 PCS | | | | |

CAUTION:
OFFICE FURNITURE IS HEAVY. ENSURE THAT YOU HAVE ADEQUATE ASSISTANCE WHEN LIFTING AND MOVING PARTS AND ASSEMBLIES. KEEP HARDWARE OUT OF REACH OF CHILDREN.

1



Using the Mounting Plate Template, position the two mounting plates on the corners of the worksurface.

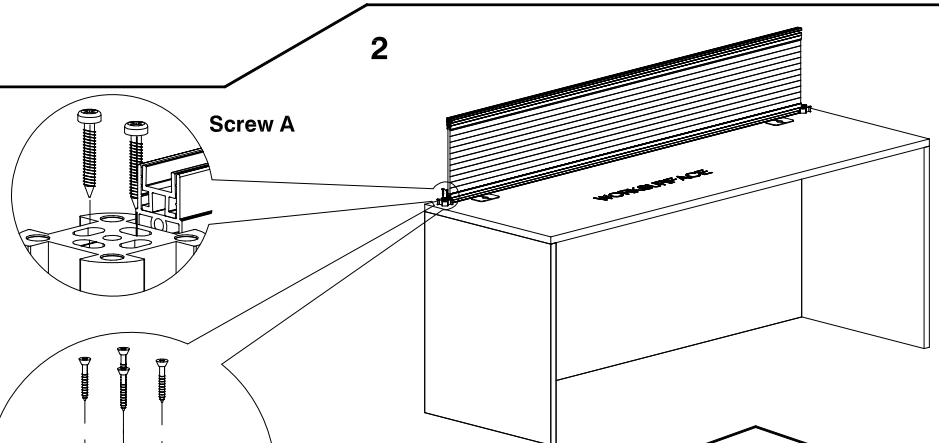
Install the mounting plate inside the template opening using two of the A Screws (1"/25mm) in two of the slotted holes. DO NOT TIGHTEN THE SCREWS.

2

Temporarily install the polycarbonate panels between the mounting plates. The panels should fit smoothly between the mounting plates, not tight.

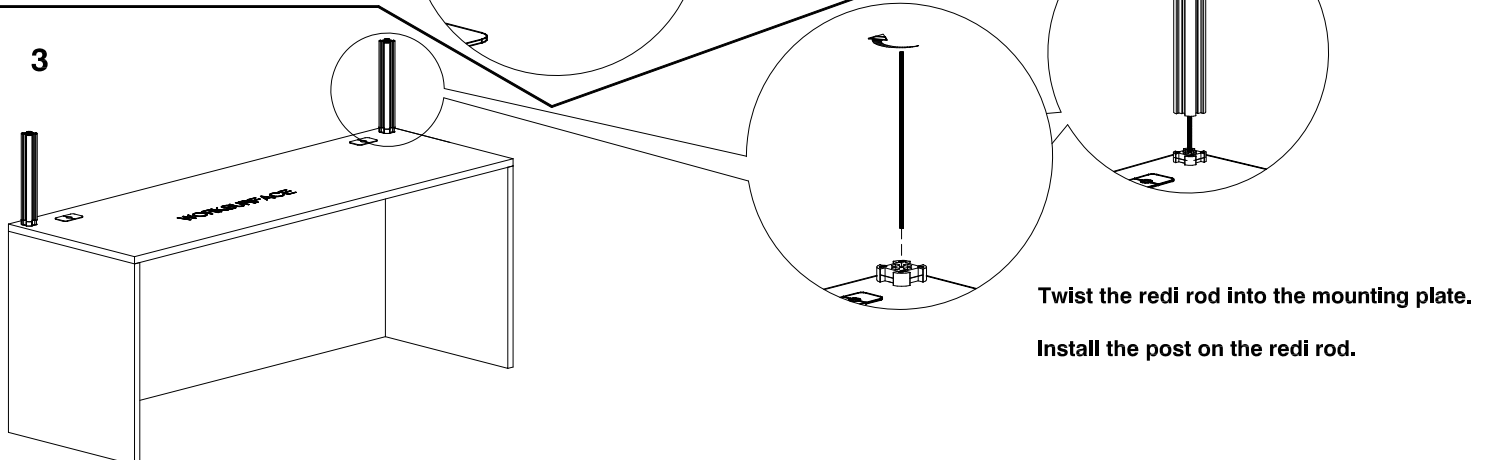
Tighten all A Screws and check the panel fit.

Once mounting plates are properly positioned, remove panels. Install B screws for each mounting plate and secure plate to worksurface by tightening all screws.



Screw B

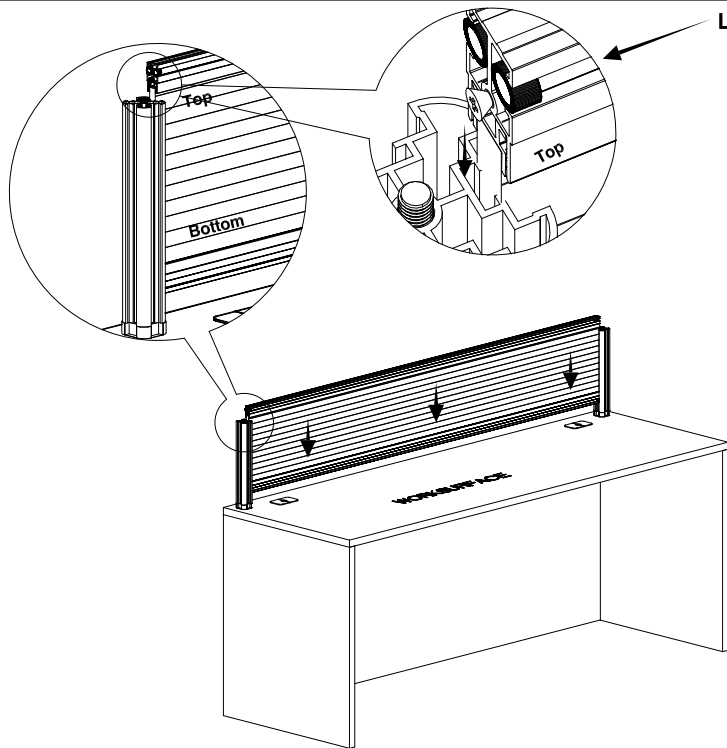
3



Twist the redi rod into the mounting plate.

Install the post on the redi rod.

outlines

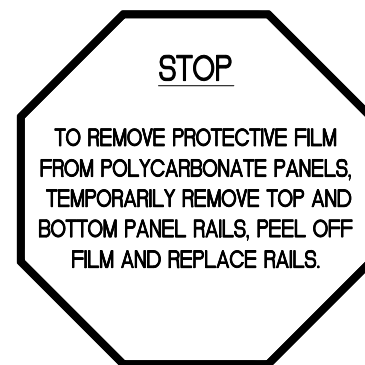


Leave the bumpers in place.

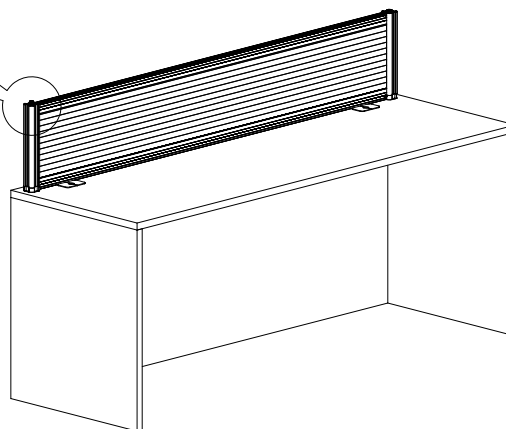
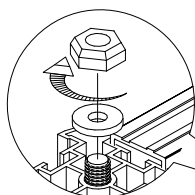
Install the polycarbonate panels. Leave the bumpers in place.

For proper installation, slide the screw at the top of the panel into the appropriate channel on the post. If the screw head is too tight or too loose then adjust accordingly.

4



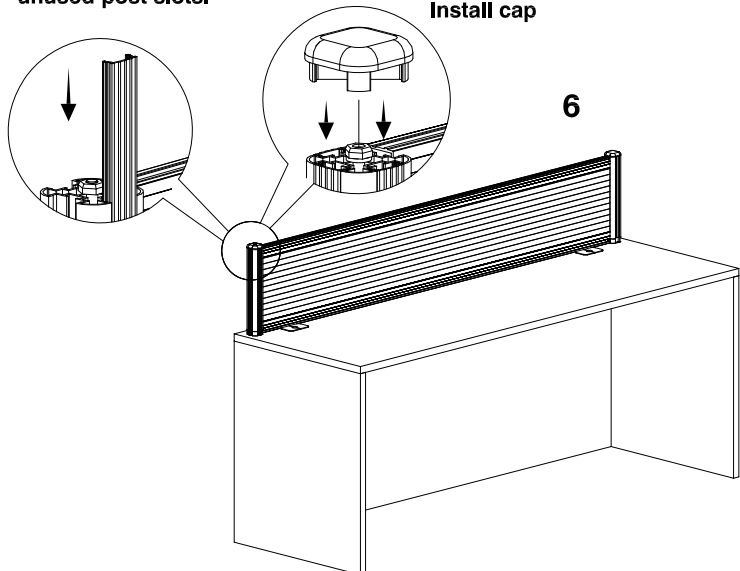
Tighten the lock nut and one washer to secure post in place.



5

Snap pvc trim into unused post slots.

Install cap



6

QUESTIONS OR CONCERNS ?
 PHONE Customer Service
 1-866-567-3060
 M-F 7am - 4:30pm PST