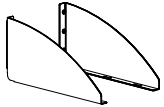

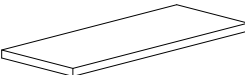
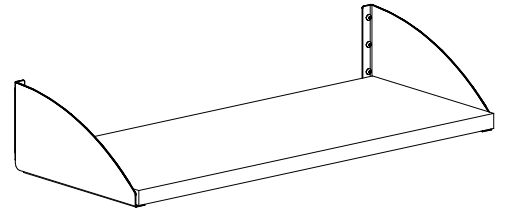


# framework

<p><b>OVERHEAD SHELF BRACKET ASSEMBLY</b></p>  <p>2 PCS</p>	<p><b>M4 x 20mm SELF TAPPING SCREW</b></p>  <p>6 PCS</p>	<p><b>OVERHEAD SHELF</b></p>  <p>1 PCS</p>
---	---	---

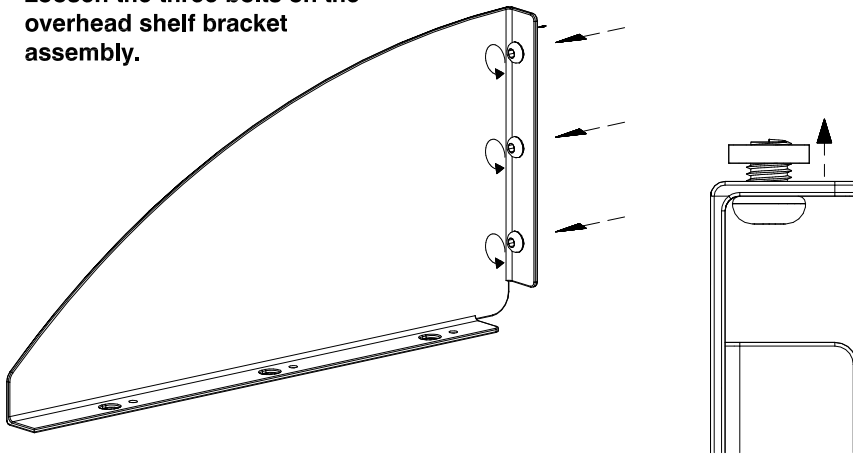
**CAUTION:**

**OFFICE FURNITURE IS HEAVY. ENSURE THAT YOU HAVE ADEQUATE ASSISTANCE WHEN LIFTING AND MOVING PARTS AND ASSEMBLIES. KEEP HARDWARE OUT OF REACH OF CHILDREN**

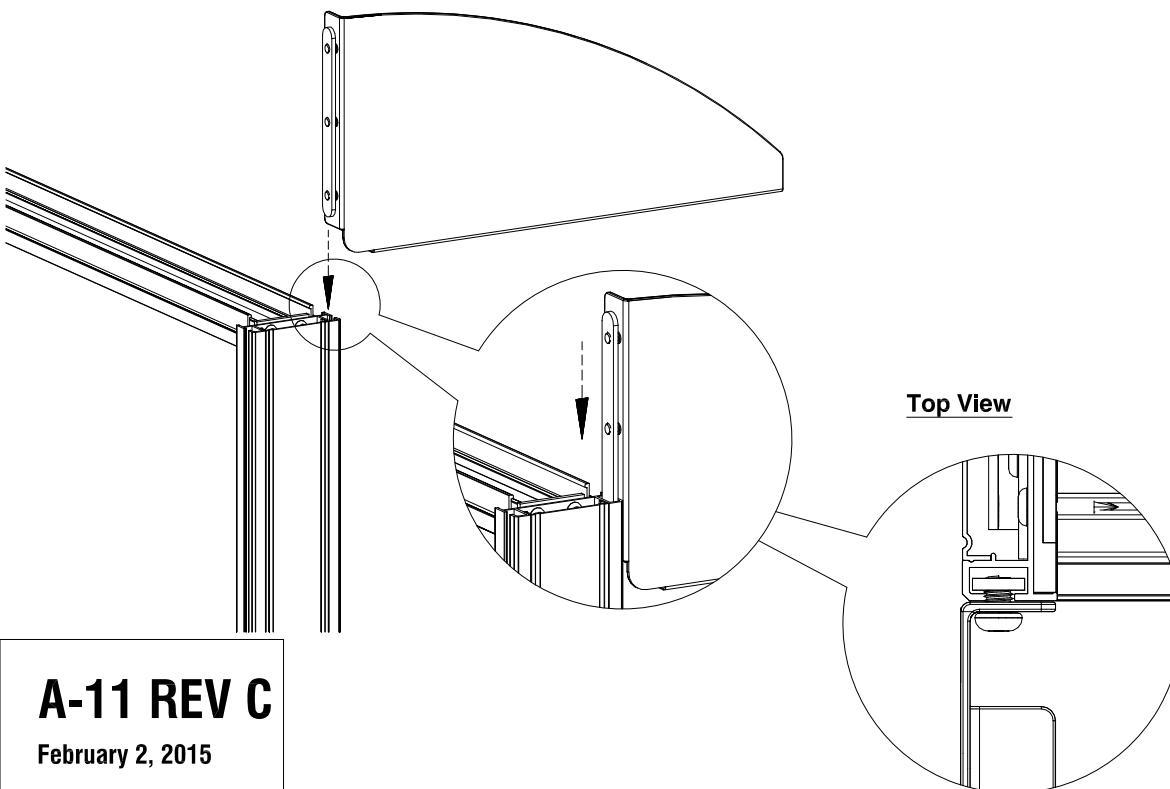


**OVERHEAD SHELF SET  
MODELS: FRM-OS30  
FRM-OS36**

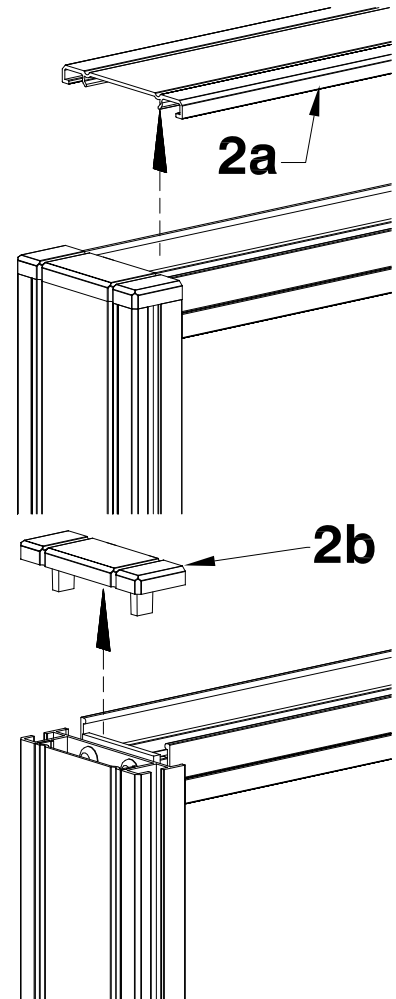
1. Loosen the three bolts on the overhead shelf bracket assembly.



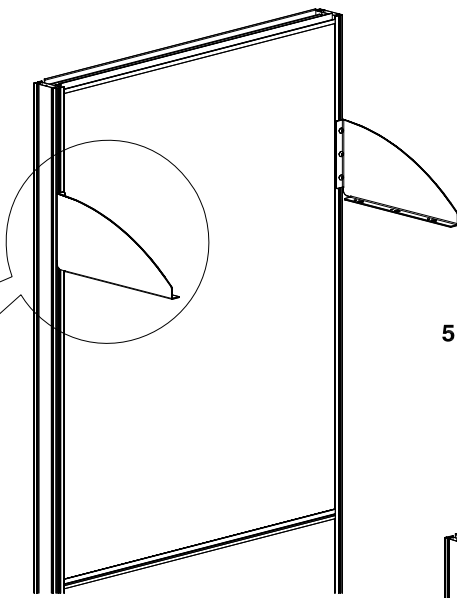
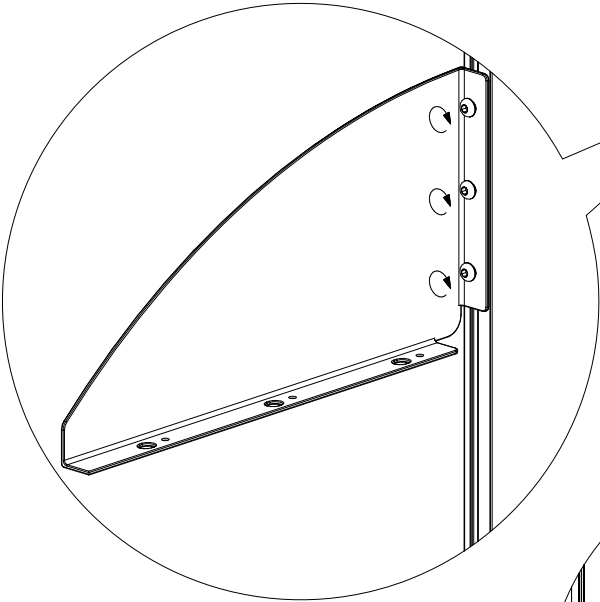
3. Place each overhead shelf bracket assembly at the top of the side pillar and align the back plate on the bracket with the channel on the side pillar. Slide shelf bracket assembly down the side pillar to the desired location.



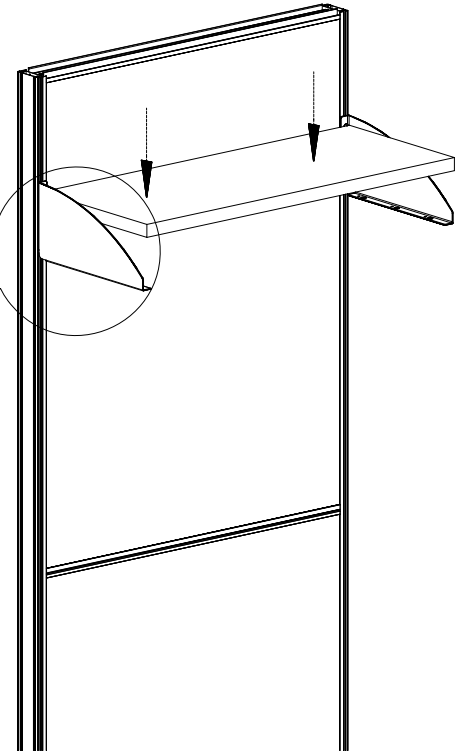
- 2a. Remove the top cover.
- 2b. Remove side pillar cap.



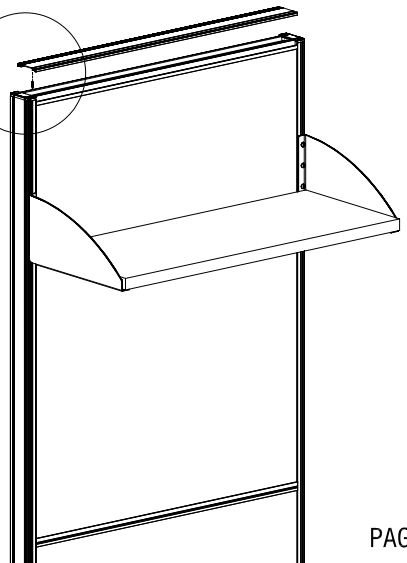
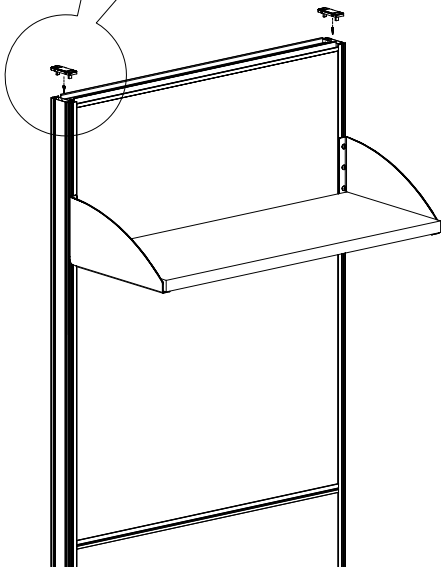
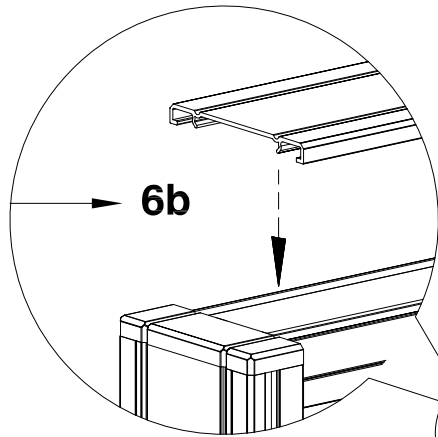
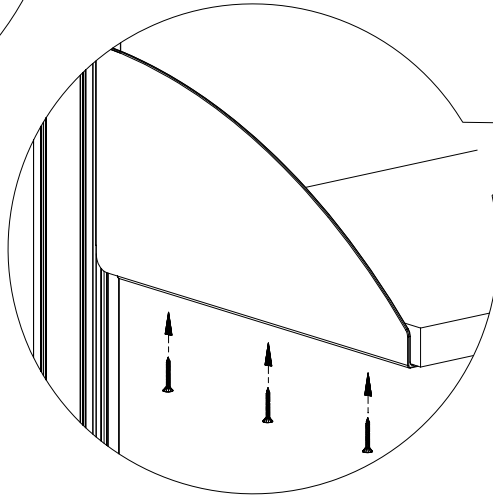
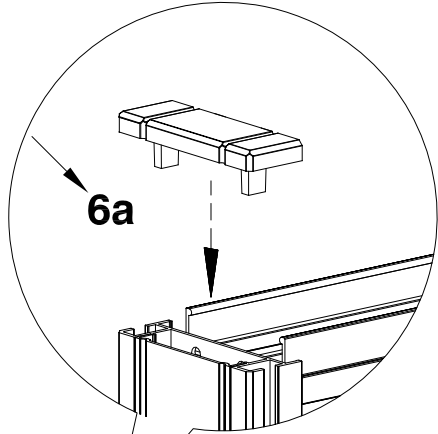
4. Once positioned at the desired location, ensure the overhead shelf brackets are level and then tighten the overhead shelf bracket assembly bolts.



5. Place the overhead shelf between brackets and fasten using the M4 x 20mm self tapping screws provided.



6a. Reinstall side pillar cap.  
6b. Reinstall top cover.



**A-11 REV C**

February 2, 2015

QUESTIONS OR CONCERNS ?

PHONE Customer Service

1-800-567-3060

1-250-765-4145

M-F 7am - 4:30 pm PST

PAGE 2 OF 2